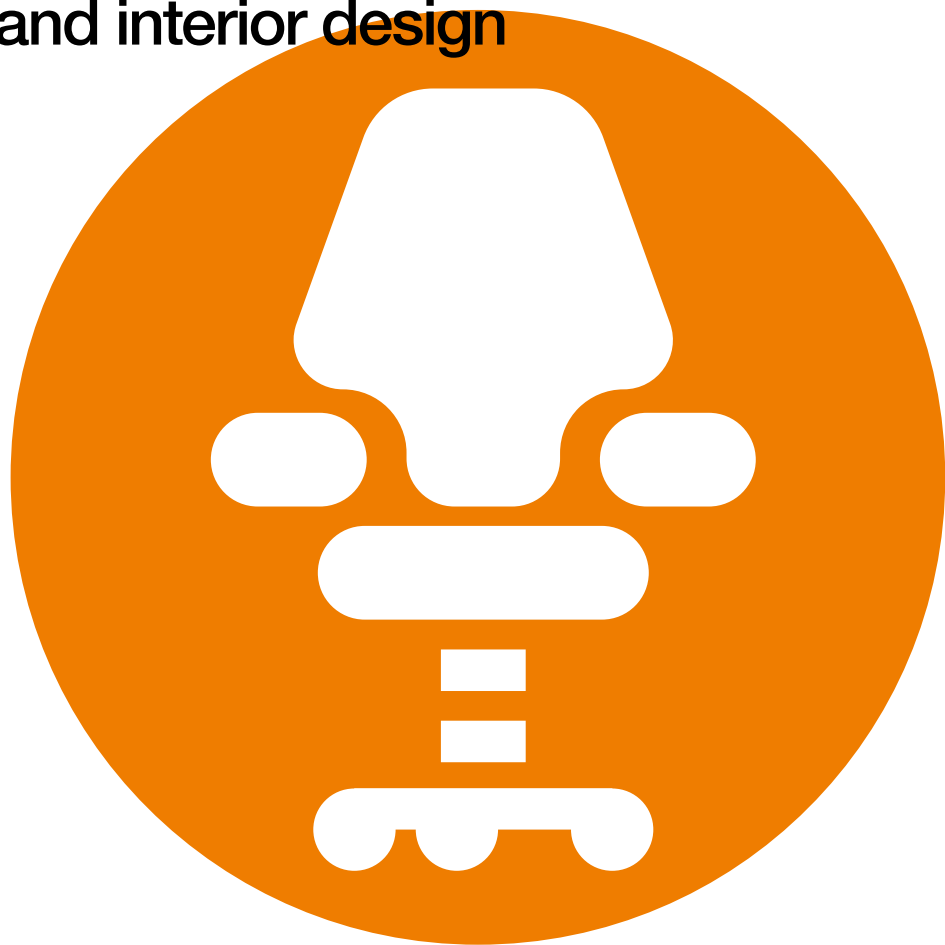


# Furniture

Product solutions for industrial  
and interior design



plastics for longer life®

igus®.eu...

[www.igus.eu/furniture](http://www.igus.eu/furniture)



## Furniture with the igus® effect: technology up, costs down ... from prototype to high-volume production

Your technical innovator and cost saver.

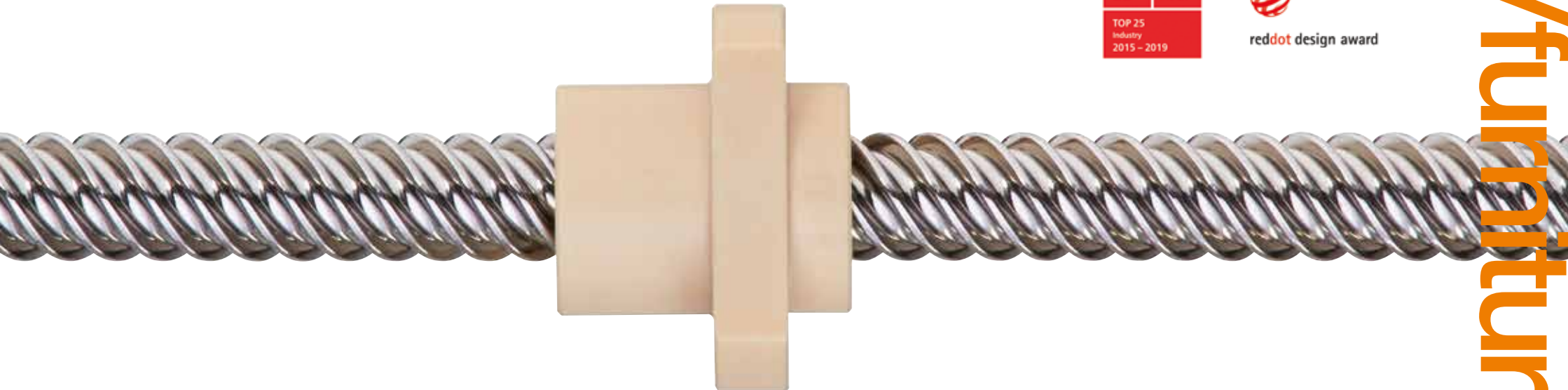
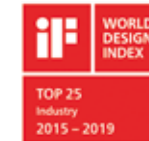
### Michael Hornung

Product Manager  
drylin® linear and drive technology  
Phone: +49-2203 9649-156  
e-mail: mhornung@igus.net

Innovative technology in award-winning design. Lubrication and maintenance-free plain bearings from igus® help the furniture-making industry to produce their new creations

Clean, quiet, and light...these are the most important features at the centre of the production of furniture and furnishings. This alone creates such great demand in the furniture industry for components from motion plastics® specialist igus®.

But the lubrication-free high-performance plastics can do even more: they slide smoothly with little effort and remain maintenance-free over their entire service life. Thanks to the dry operation, there is no danger of neighbouring materials such as textile covers, leather or wood being soiled. Plain bearing solutions and energy supplies with flexible cables are deployed everywhere there is movement. Whether hidden or visible, in soft opening table drawers or in flexible sofa arrangements with a range of seat settings, in kitchen cabinets, in the bathroom or garden – igus® product solutions prove their worth day after day in the roughest of industrial applications and it is not uncommon for them to receive the iF Design Award. Draw inspiration from the ideas and solutions in this brochure.



www.igus.eu/furniture

# Improve technology and reduce cost with motion plastics® components from igus®

## Use the convenience of our high-performance plastics for your furniture.

Corrosion-free dry-tech® bearings are ideally suited for rotating and pivoting movements even for high loads – for table extensions, seat adjustments, drawers, sliding or cabinet doors and often as an alternative to hinges. igus® products also appeal to users as visible parts, thanks to their elegant design and availability in many colours. From the initial planning stage to high-volume production: igus® will guide you. Use our 3D tribo-filament to directly print and install individual parts as well as prototypes; use our bar stock to produce small batch parts quickly and easily; and obtain the right plastic parts for moving applications from stock in serial production thanks to injection moulding.

Whether prototype or high-volume production, single component or ready-to-install systems such as linear modules with motors ... all igus® products offer you the motion plastics® advantages:

- Lubrication-free - for the life of the part
- Quiet operation and smooth sliding
- Easy, straightforward assembly
- Large variety, extensive standard product range
- Customised solutions from prototype to high-volume production

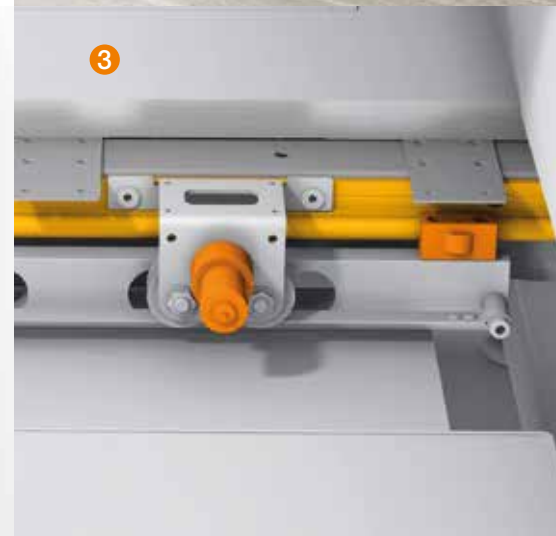
igubal® coupling joint  
in door hinges

drylin® linear guides  
in height adjustment



drylin® hybrid bearings  
in drawers

igus® e-chains®  
in height adjustments





## Clean and long-lasting – motion plastics® in kitchens

**A modern kitchen combines innovative technology and contemporary design.**

Moreover, the kitchen is the room in which we spend the most time and from which we expect a high level of functionality. All movements should be easy and quiet, all bearing points durable and resistant, all elements 100% lubrication and maintenance-free. igus® products fulfil these high technical standards and help you save costs.





## drylin® linear guides in drawer adjustments

- Extremely quiet
- Space-saving
- Ergonomic and aesthetic

 [www.igus.eu/drylin](http://www.igus.eu/drylin)



## dryspin® lead screw technology in espresso coffee maker (also in fully automatic coffee machines)

- Lubrication and maintenance-free
- Efficient and long-lasting
- FDA-compliant

 [www.igus.eu/dryspin](http://www.igus.eu/dryspin)



## drylin® W in retractable elements: flexible, robust and smooth

- Temperature-resistant
- Resistant to cooking fumes
- Clean and hygienic

 [www.igus.eu/drylinW](http://www.igus.eu/drylinW)

## igubal® WGRM in dishwasher: ergonomic adjustment of the dish rack

- Lubrication-free
- Media-resistant
- Hygienic



## drylin® E linear axes with DC motor and D3 DC motor control in kitchen adjustments

- Lubrication and maintenance-free
- Electrical operation directly at the control system or via switch
- Delivery from a single source



## drylin® W in table pull-out mechanism: variable and light

- Lubrication-free
- Quiet adjustment
- Compact



www.igus.eu/furniture

Excellent design,  
comfortable  
and aesthetic –  
motion plastics®  
in the living room

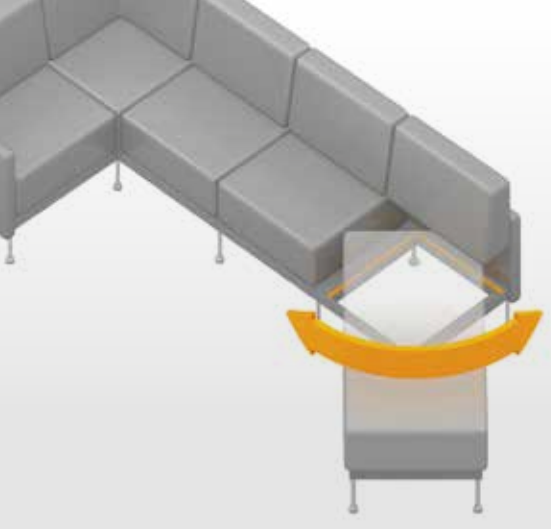


**Rotating, swivelling and linear movements with  
motion plastics® plain bearings from igus®**

The living room is a space for relaxation,  
entertainment and enjoying each other's company.  
It is crucial that movements are quiet, smooth and  
uniform. The design is the deciding factor and  
technical components must be optimally integrated.

www.igus.eu/furniture





## drylin® W in sofa – and seat adjusters: silent and smooth rotary movement

- Quickly assembled
- Resilient
- Lubrication and maintenance-free

 [www.igus.eu/curved](http://www.igus.eu/curved)



## igidur® G in recliners: quiet and precise

- Damping and quiet
- Lightweight
- Easy assembly

 [www.igus.eu/G](http://www.igus.eu/G)



## igidur® J in extension mechanisms: "invisible" or as aesthetic visual element

- Smooth sliding movements
- Use of chrome-plated and polished round bars possible
- Absolutely lubrication-free

 [www.igus.eu/J](http://www.igus.eu/J)



## drylin® W in shelf adjustments: horizontal sliding

- Quiet adjustment with low displacement forces
- Lubrication-free
- Glide and roll



 [www.igus.eu/drylinW](http://www.igus.eu/drylinW)



## iglidur® G in lamp adjustment: smooth, even movement

- Low weight due to plastic
- Cost-effective
- Lubrication-free

 [www.igus.eu/G](http://www.igus.eu/G)




## xiros® radial ball bearings made of polymers in pellet stoves

- High temperature resistance
- Smooth running
- Robust and lubrication-free

 [www.igus.eu/xiros](http://www.igus.eu/xiros)



www.igus.eu/furniture



Quiet operation  
and low friction –  
motion plastics®  
in the bedroom

**Comfortable operation and adjustment**

The bedroom is a space for rest, relaxation and tranquility. This means that mechanical components must carry out movements quietly, smoothly and without vibrations. Self-lubricating plain bearings and linear guides from igus® slide and are almost completely silent since they are designed without balls.



## igidur® Q290 in door hinges: easy opening and closing

- Lubrication-free
- Maintenance-free
- Low coefficient of friction



[www.igus.eu/Q290](http://www.igus.eu/Q290)



## drylin® W in partition walls: quiet operation with integrated roller

- Hybrid bearings with integrated rollers for low displacement forces
- Smooth running and robust
- Very quiet due to lubrication-free dry-tech® polymers



[www.igus.eu/drylinWJRM](http://www.igus.eu/drylinWJRM)



## PRT slewing ring bearing in a revolving cabinet: quiet and jerk-free

- Smooth and low-friction
- Effortless, easy and quick adjustments
- Full rotary movement



[www.igus.eu/PRT](http://www.igus.eu/PRT)



Visible, resistant  
and elegant –  
motion plastics®  
in the bathroom

**Opening, closing and adjusting with igus®**

All bearing points in sanitary and bathroom environments are exposed to high levels of moisture and temperatures. Selecting the suitable dry-tech® polymer guarantees function without a hitch. The linear housings and rails are produced from corrosion-resistant materials and can be customised with special coatings. Thanks to their appealing design, igus® bearings and guides can be used in open, visible areas.





## igidur® J in shower cubicles: resistant to humidity and temperature fluctuations

- Clean, hygienic and maintenance-free
- Easy to clean
- For use in visible areas

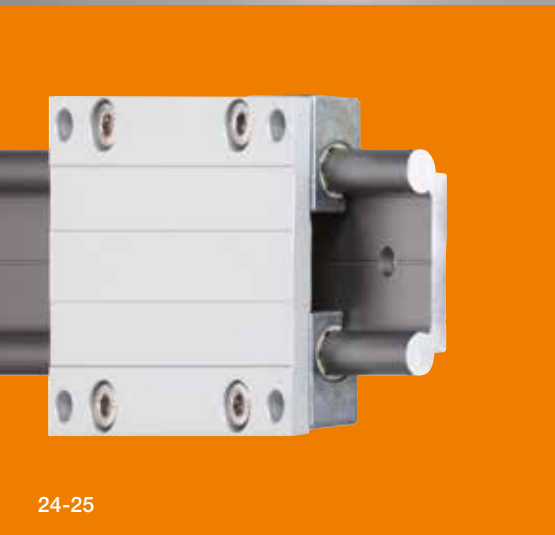
 [www.igus.eu/J](http://www.igus.eu/J)



## drylin® N in mirror adjustment: compact and corrosion-resistant

- Smooth adjustment
- For use in humid and warm environments
- Lightweight and quiet operation

 [www.igus.eu/drylinN](http://www.igus.eu/drylinN)



## drylin® W for sanitary elements in mobile homes: flexible and space-saving

- Lubrication-free and quiet
- Easy to clean
- No maintenance

 [www.igus.eu/drylinW](http://www.igus.eu/drylinW)

## iglidur® plain bearings and drylin® lead screw nuts in pool table adjustment

- Corrosion-resistant
- Lubrication-free
- Media-resistant

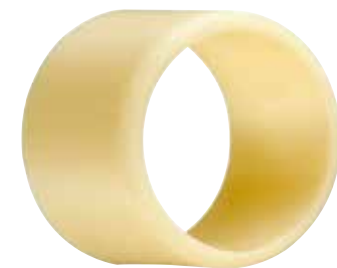
 [www.igus.eu/dryspin](http://www.igus.eu/dryspin)



## iglidur® J in locking system: compact and maintenance-free

- Wear-resistant
- Quiet
- Extremely resilient

 [www.igus.eu/J](http://www.igus.eu/J)



## iglidur® plain bearings in cover mechanism of spa/whirlpools

- Corrosion-free outdoors
- Lubrication-free
- Maintenance-free

 [www.igus.eu/iglidur](http://www.igus.eu/iglidur)



www.igus.eu/furniture

Robust come  
rain or shine –  
motion plastics®  
in outdoor  
applications

Corrosion-free in constant weather changes: sunshine, rain, wind, snow, salt and ice – these are the elements that outdoor objects are exposed to. But none of these elements harm dry-tech® high-performance polymers from igus®. They function completely lubrication and maintenance-free. igus® plastics are robust and corrosion-resistant, in a temperature range from -40 °C to +250 °C.

[www.igus.eu/furniture](http://www.igus.eu/furniture)





## igubal® spherical bearings in awnings: robust and maintenance-free

- Robust for edge loads
- Compensation of misalignment errors
- Quick and easy assembly thanks to split spherical balls

 [www.igus.eu/igubal](http://www.igus.eu/igubal)



## iglidur® in reclining and rocking chairs: quiet and harmonious pendulum movements

- Dampening, precise and resilient
- For indoor and outdoor use
- Resilient and long-lasting

 [www.igus.eu/iglidur](http://www.igus.eu/iglidur)



## drylin® N in doors and windows: smooth and quiet adjustment

- Weather-resistant for indoor and outdoor use
- Infinite positioning
- Low-profile, elegant design

 [www.igus.eu/drylinN](http://www.igus.eu/drylinN)



Ergonomics,  
comfort  
and design –  
motion plastics®  
in the office



**Work comfortably, with motion plastics®**

We probably spend most of our day in the office. Ergonomics and convenience are fundamental requirements for all movements and bearing points. igus® products undergo constant use under tough loads, and their resistance and durability have proven their worth over the years.

www.igus.eu/furniture



## PRT slewing ring bearing in a rotating shelf: gentle rotation

- Ready-to-install solution
- Smooth rotary movement
- Low wear

 [www.igus.eu/PRT](http://www.igus.eu/PRT)



## igidur® clip bearings in office furniture: noise-free turning and swivelling

- Easy installation
- Long service life, predictable
- Custom solutions

 [www.igus.eu/Clips](http://www.igus.eu/Clips)



## drylin® N in drawers: low-noise sliding of drawer guides

- Low-profile
- Lubrication-free and lightweight due to plastic and aluminium
- Height adjustment

 [www.igus.eu/drylinN](http://www.igus.eu/drylinN)

## e-chain® E2 mini in adjustable panel: for the smallest bend radii

- Reliable cable protection
- Low installation space
- Easy to fill

 [www.igus.eu/E2mini](http://www.igus.eu/E2mini)



## Award-winning order: OCR furniture chain

- Cables can easily be fitted by hand, even when installed
- Magnetic mounting clip for intermediate attachment of the OCR office chain at any point along the chain
- For 3D movement

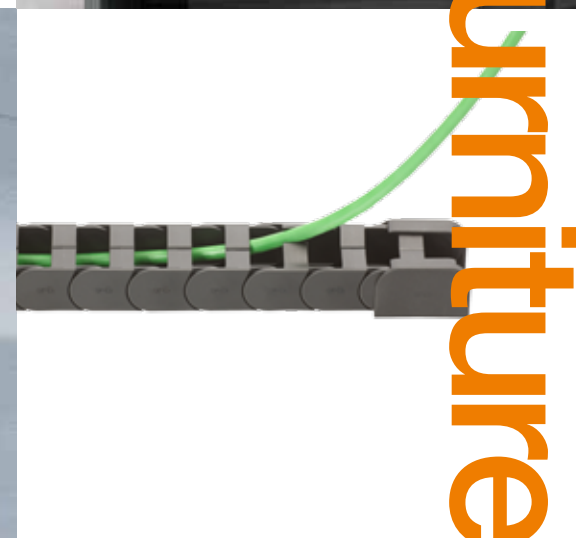
 [www.igus.eu/OCR](http://www.igus.eu/OCR)



## The easy chain® principle: reliable, continuous and organised movement

- Easy insertion of cables by hand
- Filling even in installed condition
- Reliable cable protection for small bend radii

 [www.igus.eu/easychain](http://www.igus.eu/easychain)







## drylin® SD in electrical adjustment mechanism of a VDU workstation

- drylin® linear guides, drive units and lead screw systems in combination
- Quiet operation
- Precise stroke lengths

 [www.igus.eu/drylinSD](http://www.igus.eu/drylinSD)



## drylin® W and e-chain® E2 in the height adjustment mechanism of a desk

- Easy and quiet adjustments
- Safe cable guidance
- Maintenance-free operation

 [www.igus.eu/drylinW](http://www.igus.eu/drylinW)



## igidur® and drylin® for ergonomic office chair

- Lubrication-free
- Quiet adjustment
- Low coefficient of friction

 [www.igus.eu/igidur](http://www.igus.eu/igidur)



Ihre Ideen können jetzt jede Form annehmen ...

Ich habe leider dieses Motiv nicht in EU, es ist ein Bild ... (Ist allerdings auch ein "Sonderwunsch" auf dieser Seite, in den anderen Broschüren nicht enthalten ...



Customised parts made from high-performance plastics



# 3D printing service – reduced downtime through replacement of old components even without a drawing

## In two simple steps 3D printed component - with instant price

We print custom components using lubrication-free, wear-resistant iglidur® high-performance plastics. Upload the drawing in the STEP (STP) format, check the 360° view and select the filament material. Upon order, it is printed and shipped - depending on the complexity - from 24 hours.

## Tested strength when compared to machined and injection-moulded parts

3D print materials from igus® are robust and composed of wear-resistant materials made of iglidur® high-performance plastics, developed specifically for moving applications. They guarantee a long service life as well as a high wear resistance of custom-made parts.

Selection	Description	Price/unit	Quantity	Delivery time	Unit price
<input checked="" type="checkbox"/>	iglidur® Q-PL Colour yellow High wear resistance combined with maximum strength	€1.1 mm	88 kg/m³	> 10 working days	€9.07 EUR
<input type="checkbox"/>	iglidur® 188-PP Colour white Excellent wear and abrasion properties, high strength and elongation at break	€1.2 mm	40 kg/m³	7-8 working days**	€26.66 EUR
<input type="checkbox"/>	iglidur® 188-GL-PP Colour black Excellent wear and abrasion properties, high strength and elongation at break	€1.2 mm	40 kg/m³	7-8 working days**	€26.66 EUR
<input type="checkbox"/>	iglidur® J280-PP Colour yellow Improved chemical resistance and wear resistance at higher operation temperatures	€1.2 mm	33 kg/m³	7-8 working days**	€17.07 EUR
<input type="checkbox"/>	iglidur® 1870-PP Colour yellow Improved wear resistance of the TriStar filament	€1.2 mm	35 kg/m³	7-8 working days**	€23.66 EUR

**Total price: €9.07 EUR**

\*\*For expanded sizes up to 60 mm, more information here  
\*\*Complete components must be ordered on the Friday before or in Germany, if necessary. Thereby, the delivery time is selected by 2-3 working days.

igus® 3D printing service:  
easy, fast and transparent

 [www.igus.eu/3dprintservice](http://www.igus.eu/3dprintservice)





## Tested ...



- Test: pivoting wear rate
- Load per bearing point: 25N to 300N
- Surface speed: 0.01m/s



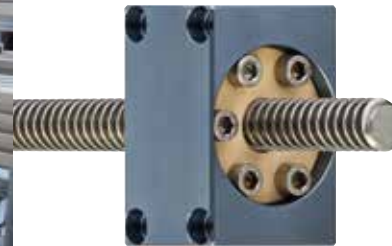
Extensive  
test  
database

## Tested ...



- igus® extends the xiros® test stand in the industry's largest test laboratory for plastics in motion

## Tested ...



- Test: service life of lead screw nuts
- Load: 25N to 50N
- Speed: up to 1m/s



## Tested ...



- Test: linear wear rate
- Load per bearing point: 10N to 200N
- Surface speed: 0.1m/s up to 0.3m/s



From more than 15,000 tests performed per year, we have created what is probably the world's largest test database. This database gives us the ability to always select the right product for your specific application. Individual tests for your industry are also possible.

 [www.igus.eu/test](http://www.igus.eu/test)

www.igus.eu/furniture



# igus.eu/24

## Buy online - 24hrs!

Visit our industry web pages for more information, products, application examples and useful online tools. Quickly configure and calculate service life of products online. With the help of our product finders, you can quickly find the right component or assembly and obtain an exact prediction of service life. All online tools also enable you to reduce process costs. igus® delivers from stock in 24-48 hours!



The screenshot shows the igus website interface. At the top, there is a navigation bar with the igus logo and the tagline 'plastics for longer life®'. Below the navigation bar, there is a main content area with a large image of a furniture factory. The text on the page reads: 'Lubrication-free solutions for furniture making and industrial design'. Below this, there is a sub-headline: 'Innovative furniture-making technology in award-winning design. Lubrication-free and maintenance-free plain bearings from igus® help the furniture-making industry to produce their new creations'. A small paragraph of text follows, describing the benefits of the technology. At the bottom of the screenshot, there is a button that says 'Contact an expert now'.

Always the right solution for the furniture industry.

igus® is certified in accordance with ISO 9001:2015 and IATF 16949:2016 in the field of energy supply systems, cables and harnessing, as well as plastic bearings.

igus® GmbH  
Spicher Str. 1a  
D-51147 Cologne  
Phone: +49 2203 9649-800  
info@igus.de  
www.igus.eu

# igus.eu

© 2019 igus® GmbH  
Published by igus® GmbH, Germany  
MAT0073081.20 Issue 05/2019  
Subject to technical alterations

www.igus.eu/furniture